

GETAC F110 DOCKING STATION

Item No.	Antenna Pass-Through	Power Supply	Weight	Height	Width	Depth
7160-0542-00	NA	No - must use external Lind Auto Adapter (Item No. 15110)	2.6 lbs.	11.44"	8.81"	3.69"
7160-0542-03	Triple RF (SMA)	No - must use external Lind Auto Adapter (Item No. 15110)	2.6 lbs.	11.44"	8.81"	3.69"
7170-0240	NA	Yes - Includes External Lind Power Supply	3.6 lbs.	11.44"	8.81"	3.69"
7170-0241	Triple RF (SMA)	Yes - Includes External Lind Power Supply	3.6 lbs.	11.44"	8.81"	3.69"

Features:

- Compatible with Getac F110 11.6-inch tablet computer
- Downward-facing I/O ports, integrated cable strain relief system
- Docking Station design accommodates mag strip reader and hand strap (sold separately)
- Can be mounted using the VESA 75mm or Gamber-Johnson mounting hole patterns
- POGO pin style docking connector for easy docking activation
- Front bracket helps align computer for proper docking connectivity
- Push and Turn lock with key for theft deterrence
 - Insert computer then push down and turn lock to close and dock computer
- Composite/aluminum design for reduced weight and durability
- 3 year limited warranty



Certificates & Testing:

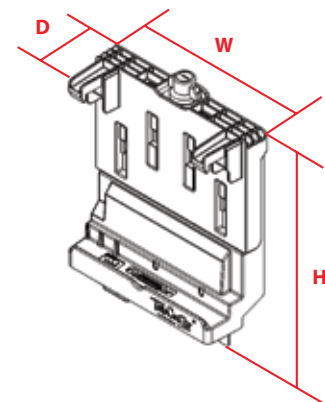
- RoHS, FCC, CE
- Vibration/Shock Testing: MIL-STD 810G
- Environmental: High/Low temperature - Storage/Operational and Humidity
- Docking Mechanisms Tested: 30,000 cycles
- SAE Standard J1455 Crash Test
- EMI - Electromagnetic Interference



Shown: 7160-0542-03



Shown: 7170-0240



GETAC F110 DOCKING STATION

Port Replication:

- Ethernet (1) RJ45
- USB (4)
 - 2.0 (3) 4 pin
 - 3.0 (1) 9 pin
- Serial (2) D-sub 9 pin
- Video (2)
 - VGA D-sub 15 pin
 - HDMI 19 pin
- Headphones/Speakers Stereo phono jack
- Microphone Mono phono jack
- Triple RF Pass-through (optional) SMA
- Power In

